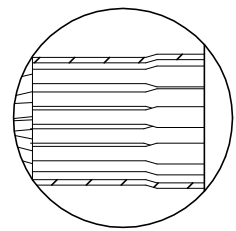
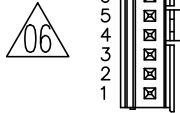
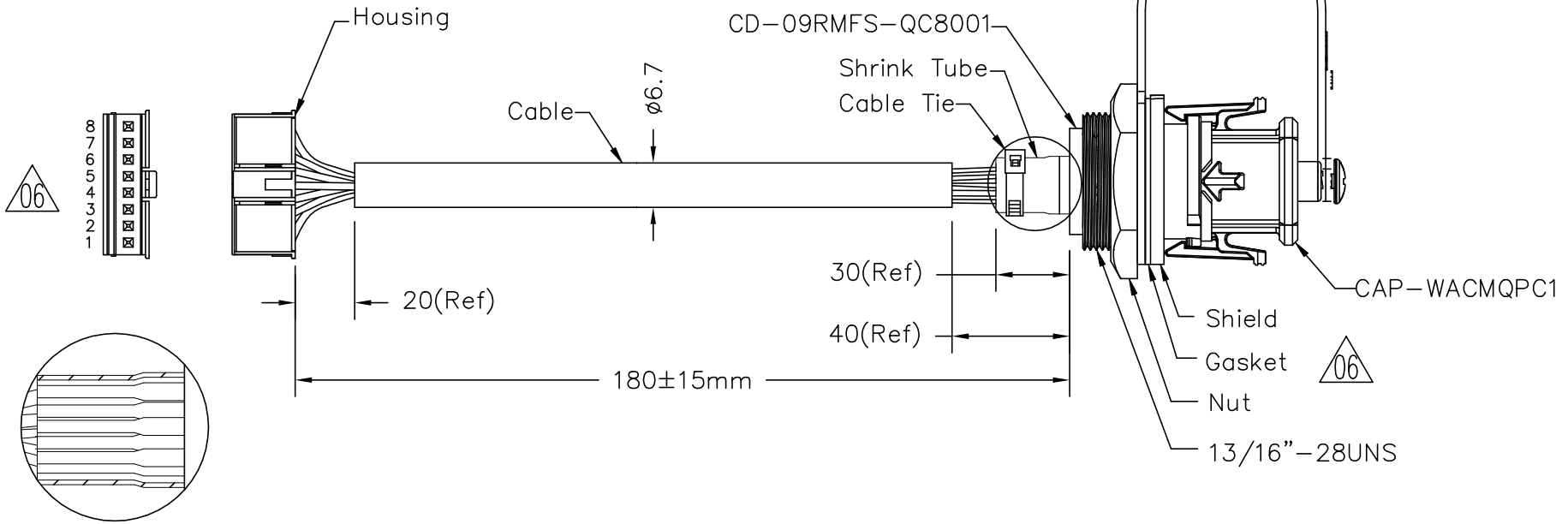
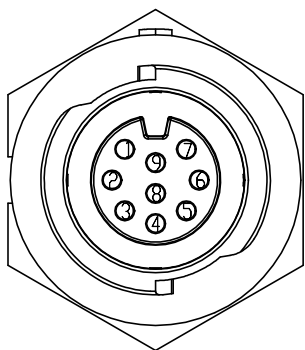


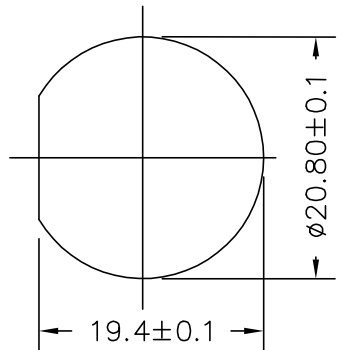
REV.	DESCRIPTION
04	Change wire to cable.
05	Change cable.
06	Correct housing Pin number.



Shrink Tube Detail



Pin Assignments Front View



Recommended Panel Cut-Out

Twist 對線	9	NC			
Twist 對線	8	Brown	棕	8	Housing
	7	Brown/White	棕白	7	
Twist 對線	6	Black/White	黑白	6	
	5	Black	黑	5	
Twist 對線	4	Red	紅	4	
	3	White	白	3	
Twist 對線	2	Orange/White	橘白	2	
	1	Red/White	紅白	1	
Wire Color					
Pin Out					

- Note:
- * Connector: Thermoplastic IP: IP68
 - * Pin: Copper Alloy
 - * Nut: Thermoplastic
 - * Cap: Thermoplastic IP: IP68
 - * Housing: XAP-08V-1
 - * Terminal: BXA-001T-P0.6
 - * Cable: 24AWG*4PR+AL/MY, OD=6.7mm, Black

UNIT: mm	
TOLERANCE	±0.5 mm

TITLE X-LOK 09P M CONN F PIN +HOUSING+WATERPROOF CAP	
SCALE Free	SHEET 1 OF 1
REV. 05	SIZE A4
QC: Inspection Item	

Amphenol LTW
安費諾亮泰企業股份有限公司

ITEM NO EMAV-S-SD09RMFS
DWG NO EMAV-S-SD09RMFS
CUSTOMER LT000233

DRAWN BY Jane
CHECKED BY Neo
APPROVED BY Max

DATE 2018/11/02
DATE 2018/11/02
DATE 2018/11/02

THIS DOCUMENT IS SUBJECT TO CHANGE WITHOUT NOTICE. IT IS CONFIDENTIAL AND A PROPERTY OF Amphenol LTW. DISCLOSURE TO THIRD PARTY HAS TO BE AUTHORIZED BY Amphenol LTW.